



ESPAPool

***ESPA*Pool**

*Innovating swimming
pool equipment*



Since 1962 ESPA has been developing a track record specializing in manufacturing products equipment for pumping and efficient water management. One of ESPA's core values is continuous improvement to offer solutions that are adapted to current and future market demands to meet customers' needs and maintain a strong commitment to the environment.

ESPA is a global organization with local presence in its operational and distribution deployment. It has sales organizations in Argentina, Brazil, Chile, China, France, Germany, India, Italy, Russia, Spain, Middle East, Turkey and the United Kingdom. It also has production facilities in Chile, China, France and Spain.

Innovation is one of the core values that define **ESPA**. Therefore, it is vital that we research our customers' needs and identify any possible improvements, so that we can offer them the perfect product.

The development of the product with improved hydraulics and a product that is better suited for use in swimming pools are the main features of the new **ESPA Pool** range.

The new products have a unique and original design, with new, far more dynamic and innovative pump housing. **ESPA Pool** products for swimming pools stand out thanks to their characteristic water blue colour and, in order to preserve their identity and distinguish them further, we have increased the amount of colour on the products from this new range.

Another of the outstanding features presented by **ESPA** in this new swimming pool range is the extension of the factory warranty exclusively for the **ESPA Pool** range of products for swimming pools (check conditions and terms at page 26 or at our website www.espa.com).



Index

→ PUMPS

Silen I	08
Silen S	09
Silen S2	10
Silen Plus	11
Multipool N	13
Nadorsel	14
Wiper	15
Wiper/Nadorsel Accessories	17

→ FILTERS

Filterkit Base	20
Filterkit Plus	21
Filterpak Base	22
Filterpak Plus	23
Tekbox	24
Warranty	26





PUMPS

Quiet-running single-stage centrifugal pump, self-priming, complete with pre-filter

Applications

Recirculation and filtering of water from small and medium swimming pools.

Materials

Pump body, pump foot, impeller, seal mounting and diffuser in technopolymer.

Motor shaft in stainless steel AISI 431.

Special mechanical seal in AISI 316.

Motor housing in aluminium.

O-rings in NBR.

Bearings up to 160° C

Motor

Asynchronous, two poles.

IP 55 protection.

Class F insulation.

Continuous operation.

Single-phase version with built-in thermal protection.

10.000 hours P2 capacitor with aluminium casing.

Equipment

Supplied with suction and discharge unions (metric 50 mm or Imperial 1^{1/2}").



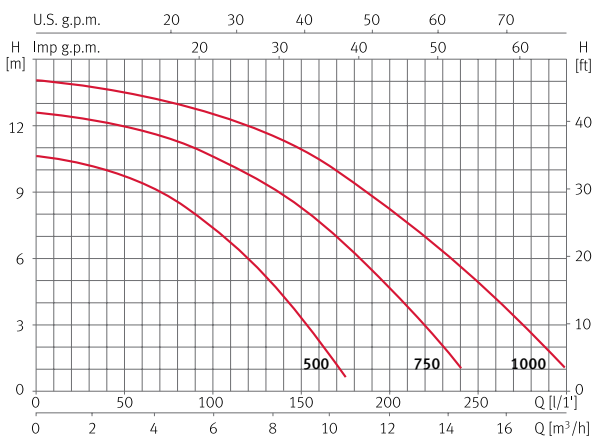
Check conditions and terms at page 26

Hydraulic performance table

Model	I [A]	P1 [kW]	P2		c	* Pool volume [m³]	l/min	25	50	75	100	150	200	250	290	1~230 V (model M)
	1~230 V	1~230 V	[kW]	[HP]				[µF]	m³/h	1,5	3,0	4,5	6,0	9,0	12	15
SILEN I 33 8M	2	0,45	0,25	0,33	12	65	mca	10,2	9,7	8,6	7,2	3,2				203144
SILEN I 50 12M	2,8	0,65	0,37	0,5	12	75		12,3	11,9	11,3	10,5	8,1	4,6			203145
SILEN I 100 15M	3,8	0,85	0,75	1	12	85		13,8	13,3	13	12,5	10,8	8,1	4,8	1,8	203146

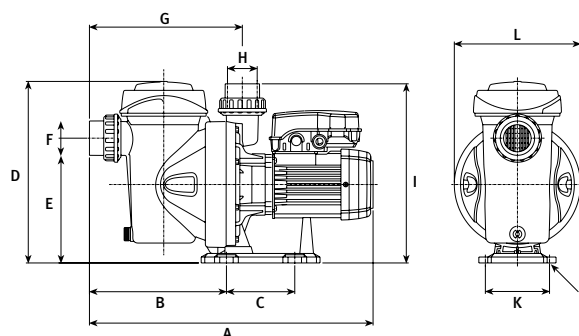
(*) Swimming pool volume (m³): Considering water circulation of 8 hours/day.

Performance curves at 2900 rpm



Dimensions and weights

Model	A	B	C	D	E	F	G	H	I	J	K	L	Kg
SILEN I 33 8M	438,5	191,5	115	304	210	2 1/4"	221	2 1/4"	264	Ø9	108	Ø212	8,9
SILEN I 50 12M	438,5	191,5	115	304	210	2 1/4"	221	2 1/4"	264	Ø9	108	Ø212	10,2
SILEN I 100 15M	438,5	191,5	115	304	210	2 1/4"	221	2 1/4"	264	Ø9	108	Ø212	10,9



Quiet-running single-stage centrifugal pump, self-priming, complete with pre-filter

Applications

Recirculation and filtering of water from small and medium swimming pools.

Materials

Pump body, pump foot, impeller, seal mounting and diffuser in technopolymer.

Motor shaft in stainless steel AISI 431.

Special mechanical seal in AISI 316.

Motor housing in aluminium.

O-rings in NBR.

Bearings up to 160° C.

Motor

Asynchronous, two poles.

IP 55 protection.

Class F insulation.

Continuous operation.

Single-phase version with built-in thermal protection.

10.000 hours P2 capacitor with aluminium casing.

Equipment

Supplied with suction (metric 63 / 50 mm or Imperial 2" / 1 1/2") and discharge unions (metric 50 mm or Imperial 1 1/2").

NEW DESIGN
NEW MATERIALS
ULTRA-SILENT
SELF-PRIMING 4m
EXTENDED WARRANTY
IMPROVED HYDRAULICS



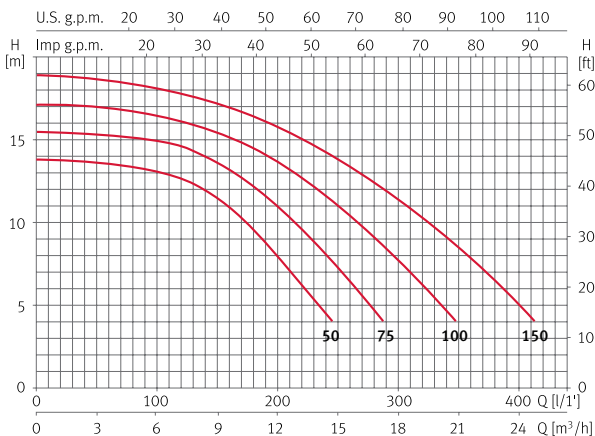
Check conditions and terms at page 26

Hydraulic performance table

Model	I [A]			P1 [kW]		P2		c	* Pool volume [m ³]	l/min	Flow rate (l/min)								1~230 V (model M)	3~400 V (model T)
	1~230 V	3~230 V	3~400 V	1~230 V	3~400 V	[kW]	[HP]				[μF]	40	80	120	160	215	265	325	400	Code
SILEN S 60 12	3,7	2,4	1,4	0,8	0,8	0,44	0,6	16	90	inca	13,6	13,2	12,6	10,9	6,7				203147	203151
SILEN S 75 15	5,5	3,3	1,9	1,2	1,0	0,55	0,75	16	110		15,2	15	14,3	13,1	9,9	6			203148	203152
SILEN S 100 18	6,0	3,8	2,2	1,4	1,2	0,75	1,0	16	125		16,9	16,5	16	15	12,9	10	5,9		203149	203153
SILEN S 150 22	7,1	4,8	2,8	1,6	1,6	1,1	1,5	25	150		18,6	18,2	17,7	16,9	15,1	13	10	5,1	203150	203154

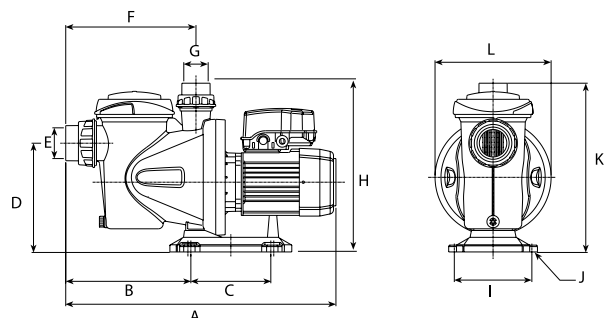
(*) Swimming pool volume (m³): Considering water circulation of 8 hours/day.

Performance curves at 2900 rpm



Dimensions and weights

Model	A	B	C	D	E	F	G	H	I	J	K	L	Kg
SILEN S 60 12	495	211	170	225	2 1/4"	225	2 1/4"	308	159	Ø9	319	238	8,9
SILEN S 75 15	495	211	170	225	2 1/4"	225	2 1/4"	308	159	Ø9	319	238	10,2
SILEN S 100 18	495	211	170	225	2 1/4"	225	2 1/4"	308	159	Ø9	319	238	10,9
SILEN S 150 22	495	211	170	225	2 1/4"	225	2 1/4"	308	159	Ø9	319	238	13,5



Silen S2 Swimming Pool



Quiet-running single-stage, self-priming, centrifugal pumps, complete with pre-filter

Applications

Recirculation and filtering of large pools.

Materials

Pump body, pump foot, diffuser, impeller and seal mounting in technopolymer.

Motor shaft in stainless steel AISI 431.

Special mechanical seal in AISI 316.

Motor housing in aluminium.

O-rings in NBR.

Bearings up to 160° C.

Motor

Asynchronous, two poles.

IP 55 protection.

Class F insulation.

Continuous operation.

Single-phase version built-in thermal protection.

10.000 hours P2 capacitor with aluminium casing.

Equipment

Supplied with suction and discharge unions (metric 63 mm or Imperial 2").



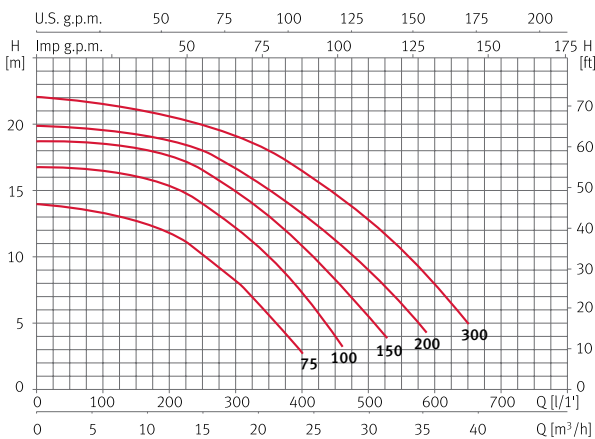
Check conditions and terms at page 26

Hydraulic performance table

Model	I [A]			P1 [kW]		P2		c	* Pool volume [m³]	l/min m³/h	100	150	250	350	450	500	550	650	1~230 V (model M)	3~400 V (model T)
	1~230 V	3~230 V	3~400 V	1~230 V	3~400 V	[kW]	[HP]				[µF]	6,0	9,0	15	21	27	30	33	39	Code
SILEN S2 75 18	4,5	3,8	2,2	1,0	1,0	0,55	0,75	25	110	mca	13,2	12,8	10	5,5					203155	203160
SILEN S2 100 24	7	4,8	2,8	1,5	1,6	0,92	1,25	25	150		16,5	16	14,2	10	4				203156	203161
SILEN S2 150 29	8,5	5,3	3,1	1,9	1,9	1,1	1,5	25	180		18,5	18,2	16,5	13	8,2	5,5			203157	203162
SILEN S2 200 31	9,7	6,5	3,8	2,2	2,2	1,5	2,0	30	200		19,5	19,1	18	15	11,1	9	6,3		203158	203163
SILEN S2 300 36	12,5	8,6	5	2,8	2,6	2,2	3,0	60	240		21,5	21	19,9	18	14,9	12,9	10,3	5	203159	203164

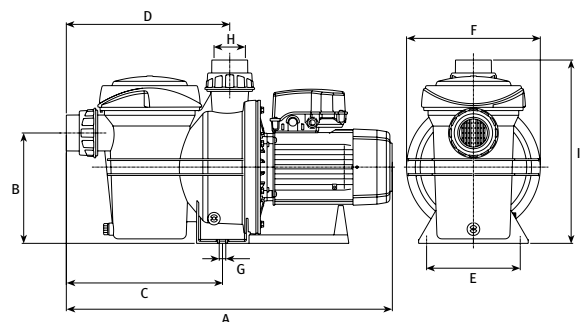
(*) Swimming pool volume (m³): Considering water circulation of 8 hours/day.

Performance curves at 2900 rpm



Dimensions and weights

Model	A	B	C	D	E	F	G	H	I	Kg
SILEN S2 75 18	623,5	222	272	285	188	268	Ø13	2 3/4"	326,5	14
SILEN S2 100 24	623,5	222	272	285	188	268	Ø13	2 3/4"	326,5	15
SILEN S2 150 29	623,5	222	272	285	188	268	Ø13	2 3/4"	326,5	18
SILEN S2 200 31	623,5	222	272	285	188	268	Ø13	2 3/4"	326,5	21
SILEN S2 300 36	623,5	222	272	285	188	268	Ø13	2 3/4"	326,5	23



Silen Plus Swimming Pool



Quiet-running single stage centrifugal pump with frequency driver

Applications

Recirculation and filtering of water from swimming pools.
Quiet-running.

Materials

Pump body, pump foot, impeller, seal mounting and diffuser in technopolymer.
Motor shaft in stainless steel AISI 431.
Special mechanical seal in AISI 316.
Mechanical seal in graphite and alumine.
Motor housing in aluminium.
O-rings in NBR.
Bearings up to 160° C.

Motor

Asynchronous, two poles.
IP 55 protection.
Class F insulation.
Continuous operation.

Equipment

Supplied with suction and discharge unions.

evopool®

The Silen Plus includes a frequency inverter with a major innovation in its operation to adapt it for usage in pools: the speed variation in the swimming pool working cycles.
Silen Plus includes an ESPA pool pump and a frequency inverter with a major innovation in its operation to adapt it for usage in pools.

evopool® Control System

The ESPA **evopool®** control system detects the position of the selector valve and transmits it to the pump to automatically activate or deactivate the operation cycle depending on the position.

NEW DESIGN
NEW MATERIALS
ULTRA-SILENT
SELF-PRIMING 4m
EXTENDED WARRANTY



Silen Plus 1M



Silen Plus 3M

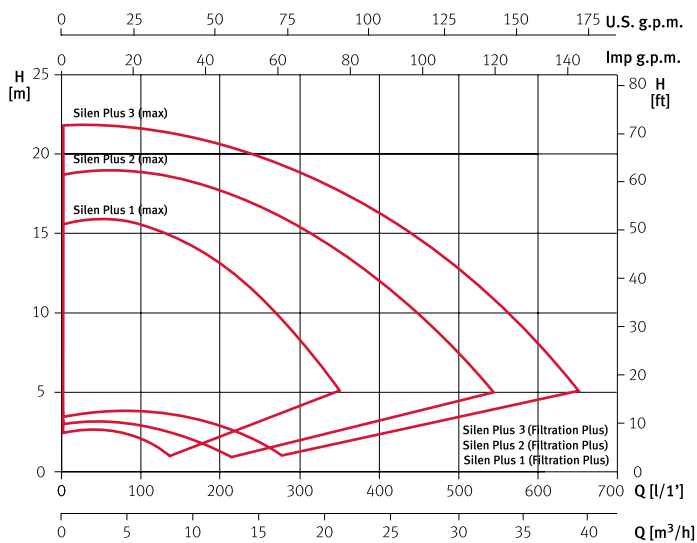


Check conditions and terms at page 26

Electric features

Model	Working cycle <i>evopool®</i>	Current [A]	Input power P1 [kW]	Motor power P2		1~230 V (model M)
		1~230 V	1~	[kW]	[HP]	Code
Silen Plus 1M	Max	3,9	1,2	0,75	1,0	199398
	Filtration Plus	0,25	0,07			
Silen Plus 2M	Max	6,5	2,2	1,5	2,0	199399
	Filtration Plus	0,42	0,14			
Silen Plus 3M	Max	16,0	2,7	2,2	3,0	200519
	Filtration Plus	1,6	0,22			

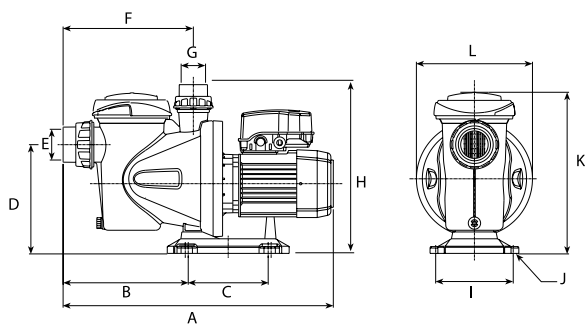
Performance curves



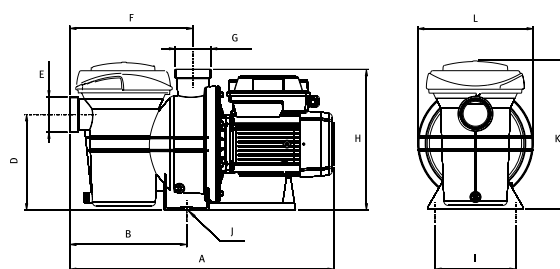
Dimensions and weights

Model	A	B	C	D	E	F	G	H	I	J	K	L	Kg
Silen Plus 1M	495	211	170	225	2 1/4"	225	2 1/4"	308	159	Ø9	319	238	11,9
Silen Plus 2M	623,5	272	-	222	2 3/4"	285	2 3/4"	326	188	Ø13	334	268	21,9
Silen Plus 3M	623,5	272	-	222	2 3/4"	285	2 3/4"	326	188	-	368	268	23,9

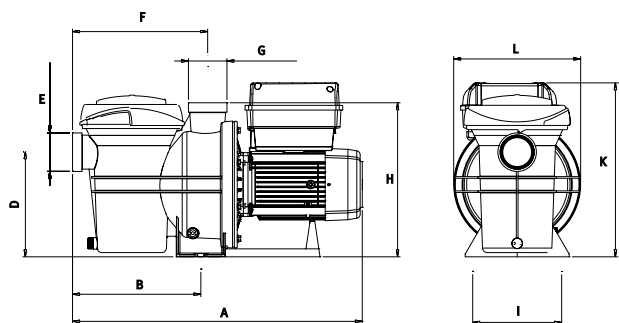
Silen Plus 1M



Silen Plus 2M



Silen Plus 3M



Multipool N Swimming Pool



Multi-stage pumps. Swimming pool

Applications

Booster pumps for pool cleaners.
Designed for operation with chlorinated and, salty waters.

Materials

Pump body, base and diffusers in polymeric materials.
Shaft in stainless steel AISI 431.
Wet end with AISI 431 metallic components.
Mechanical seal in graphite and alumine.
Motor housing in aluminium L-2521.
Windings impregnated with polyester resin.

Motor

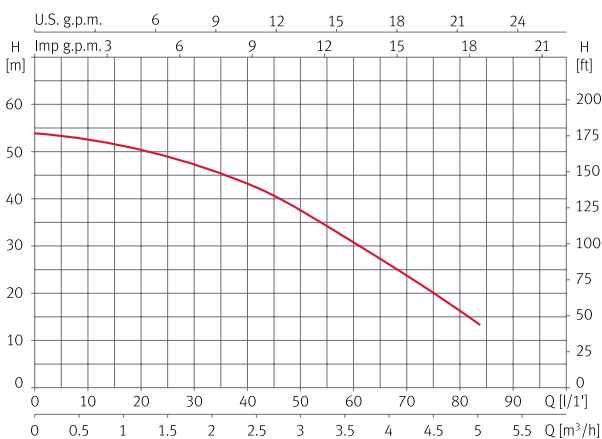
Asynchronous, two poles.
IP 55 protection.
Class F insulation.
Continuous operation.
Single-phase with built-in thermal protection.



Hydraulic performance table

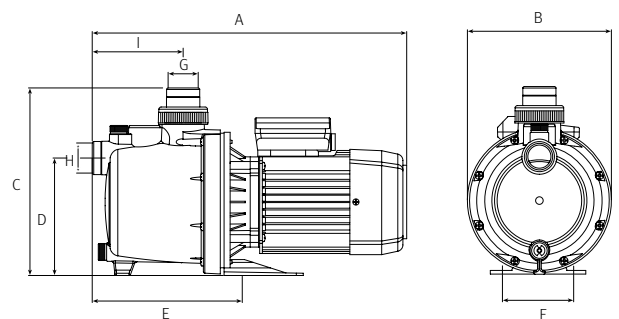
Model	I [A]	P1 [kW]	P2		c [μF]	l/min m³/h	10	30	40	50	60	65	70	80	1~230 V (model M)
	1~230 V	1~230 V	[kW]	[HP]			0,6	1,8	2,4	3,0	3,6	3,9	4,3	4,8	Code
Multipool N	6	1,3	0,75	1	16	mca	53	47	43	37	32	27,5	24	17	202038

Performance curves at 2900 rpm



Dimensions and weights

Model	A	B	C	D	E	F	G	H	I	Kg
Multipool N	415	190	247,5	155	198	94	1"	1"	120	10,5



Single-stage centrifugal pumps

Applications

Jet-stream swimming in public or private swimming-pools.
Generate a strong stream of water and transform swimming-pools into places for sport and leisure.

Materials

Pump body, impeller, seal mounting and diffuser in technopolymer.
Mechanical seal in graphite and alumine.
Suction valve in reinforced rubber.
Shaft in stainless steel AISI 420.
Pump-motor support and motor housing in aluminium.

Motor

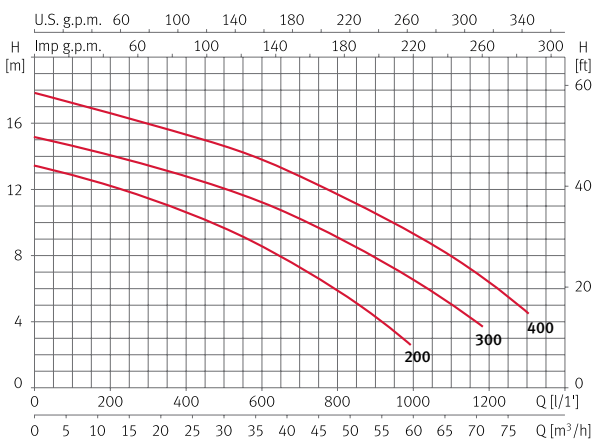
Asynchronous, two poles.
IP 55 protection.
Class F insulation.
Continuous operation.
Single-phase with built-in thermal protection.



Hydraulic performance table

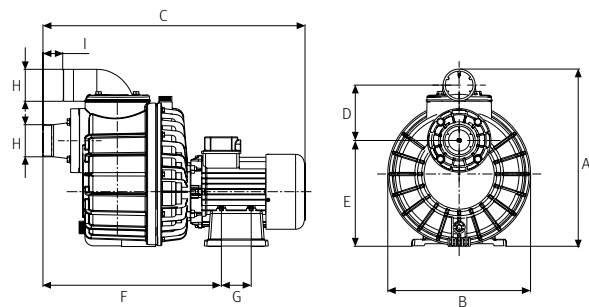
Model	I [A]			P1 [kW]		P2		c [μF]	l/min	100	200	400	600	800	1000	1200	1300	1~230 V	3~400 V
	1~230 V	3~230 V	3~400 V	1~230 V	3~400 V	[kW]	[HP]											(model M)	(model T)
	Code																		
Nadorself 300	13,4	8,6	5	3	3	2,3	3	60	mca	14,6	14	12,8	11,3	9	6,5			203166	203168
Nadorself 400		11,8	6		3,4	3	4			17,2	16,6	15,3	13,8	11,6	9,4	6,3	4,5		203169

Performance curves at 2900 rpm



Dimensions and weights

Model	A	B	C	D	E	F	G	H	I	Kg
Nadorself 300	416	335	615	130	248,5	418,5	70	2 1/2"	46,5	26,1/25,8
Nadorself 400	416	335	615	130	248,5	418,5	70	2 1/2"	46,5	28



Quiet-running single-stage centrifugal pumps for water recirculation

Applications

Water recirculation in spas and private pools.
With central suction and adjustable discharge outlet.

Materials

Suction cover, impeller, pump foot and discharge body in technopolymer.
Mechanical seal in graphite and steatite.
Shaft in stainless steel AISI 420.
Motor housing in aluminium.
O-rings in NBR.

Motor

Asynchronous, two poles.
IP 55 protection.
Class F insulation.
Continuous operation.
Built-in thermal protection.
Single-phase two-speed options:
2P = 2900 rpm. / 4P = 1450 rpm.

Equipment

Wiper 0: 2^{1/4}" inlet and outlet ports.
Complete with suction and discharge unions (metric 50 mm).
Wiper 3: 2^{3/4}" inlet and outlet ports.
Complete with suction and discharge unions (metric 63 mm).



Wiper 0



Wiper 3

Hydraulic performance table

Modelo	I [A]		P1 [kW]		P2		c	l/min	25	50	100	150	200	250	300	350	1~230 V (model M)	
	1~230 V	1~230 V	[kW]	[HP]	[μF]	m³/h											1,5	3,0
Wiper0 50	2,3	0,5	0,24	0,33	12	mca	12	10	9,4	7,9	6,0	3,6	1				203170	
Wiper0 70	2,9	0,64	0,37	0,5	12			11	10,6	9,7	8,5	6,6	4,5	2,2				203171
Wiper0 90	3,74	0,85	0,74	1,0	12			11,7	11,3	10,5	9,6	8,4	6,7	4,6	2,2			203172

1 x 230 V monophasic

Modelo	I [A]		P1 [kW]		P2		c	l/min	50	100	200	300	400	500	600	900	1~230 V (model M)	
	1~230 V	1~230 V	[kW]	[HP]	[μF]	m³/h											3,0	6,0
Wiper3 150	6,4	1,4	1,1	1,5	25	mca	40	13,3	13	12,1	10,8	8,2	5				203173	
Wiper3 200	8,8	2	1,5	2	40			14,8	14,5	13,9	12,9	11,1	9,1	6,8				203174
Wiper3 300	11	2,5	2	3	60			14,8	14,5	14,1	13,5	12,8	11,9	10,7	4,7			203175

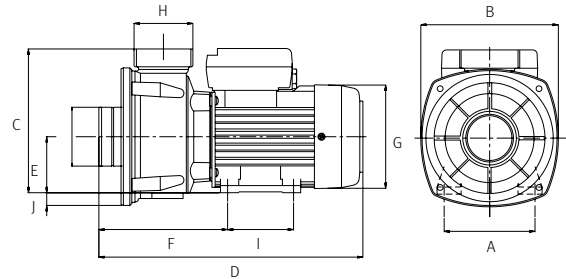
3 x 230/400 V triphasic

Modelo	I [A]		P1 [kW]		P2		l/min	50	100	200	300	400	500	600	900	3~400 V (model T)	
	3~230 V	3~400 V	3~	[kW]	[HP]	m³/h										3,0	6,0
Wiper3 150	5	2,9	1,1	1,1	1,5	mca	40	13,3	13	12,1	10,8	8,2	5			203176	
Wiper3 200	6,6	3,8	1,8	1,5	2			14,8	14,5	13,9	12,9	11,1	9,1	6,8			203177
Wiper3 300	7,1	4,1	2,4	2	3			14,8	14,5	14,1	13,5	12,8	11,9	10,7	4,7		203178

Dimensions and weights

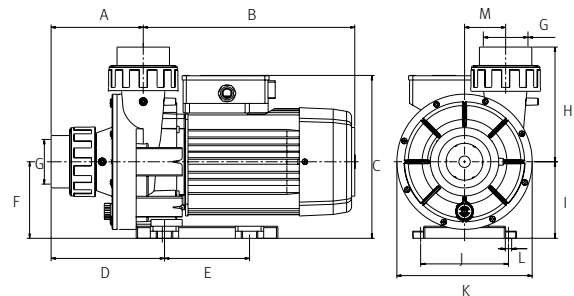
Wiper0

Model	A	B	C	D	E	F	G	H	I	J	Kg
Wiper0 50	102	154,5	162	295,5	63	144,5	116	2 ^{1/4"}	74	15	5,7
Wiper0 70	102	154,5	162	295,5	63	144,5	116	2 ^{1/4"}	74	15	6
Wiper0 90	102	154,5	162	295,5	63	144,5	116	2 ^{1/4"}	74	15	6,8



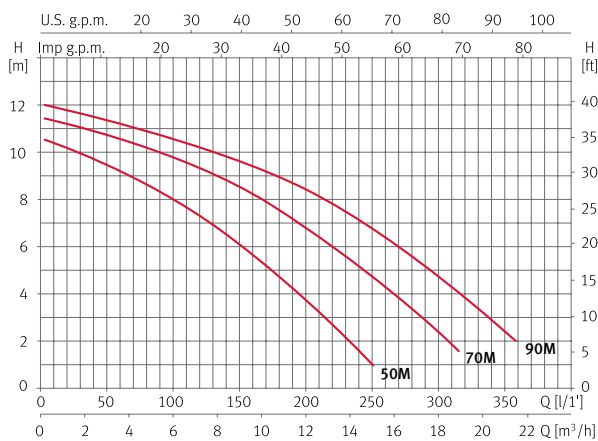
Wiper3

Model	A	B	C	D	E	F	G	H	I	J	K	L	M	Kg
Wiper3 150	130	298,7	230	160	120	108	63	162	108	124	191	9	29	14,3
Wiper3 200	130	298,7	230	160	120	108	63	162	108	124	191	9	29	17
Wiper3 300	130	298,7	230	160	120	108	63	162	108	124	191	9	29	18,8

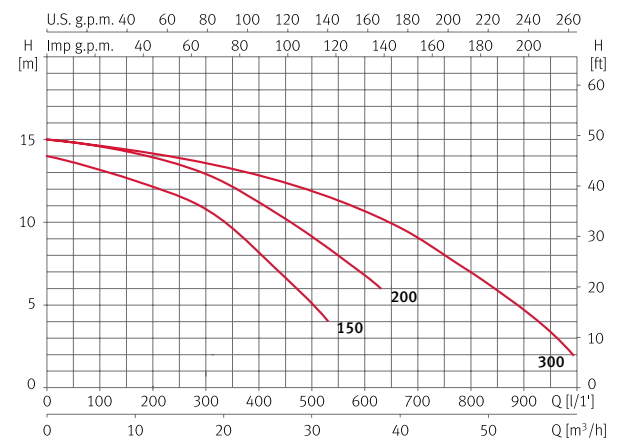


Performance curves at 2900 rpm

Wiper0



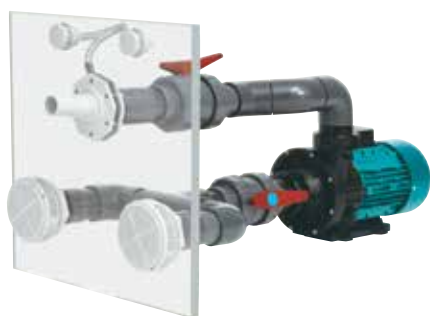
Wiper3



Accessories Wiper/Nadorself Swimming Pool



Wiper3

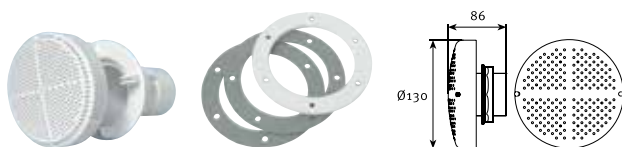


Suction for Kit NCB in lined pool	Code
Kit NCB AL	130634



We recommend 2 units per kit. See regulations for country in question Ø63 mm connection.

Suction for Kit NCB in concrete pool	Code
Kit NCB AH	130633



Recomendamos la instalación de 2 unidades para evitar accidentes. Ver normativa del país.

Jet Kit (lined/concrete)	Code
Kit NCB	10632

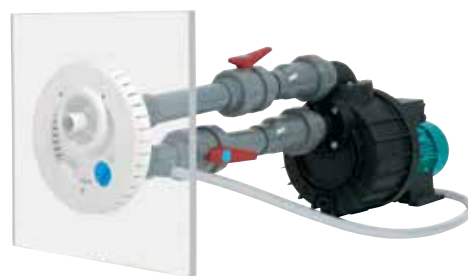


Hose kit	Code
Kit NC M	104153

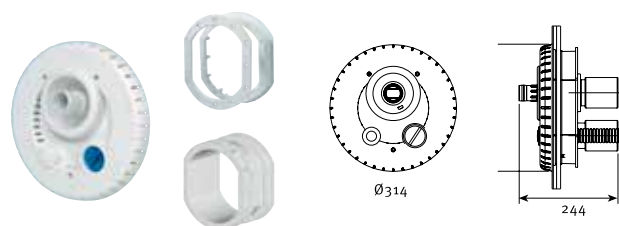


Flexible hose 1.5 m. (pump to jet nozzle)

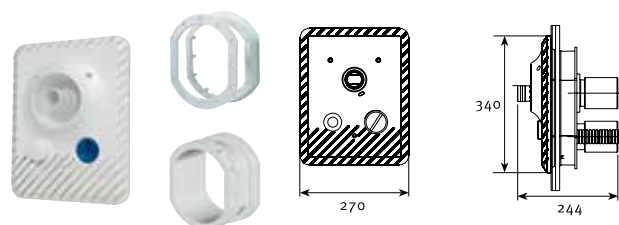
Nadorself



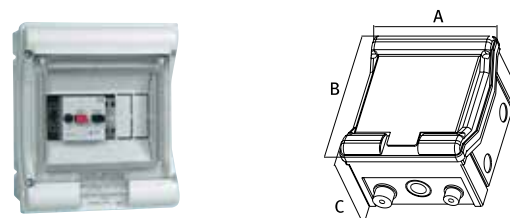
Complete circular kit (universal for lined concrete)	Code
Universal kit (circular)	Uninadkit C



Complete rectangular kit (universal for lined concrete)	Code
Kit universal (rectangular)	Uninadkit C



Control panel	Code
NC CM 2 (Single-phase)	134548
NC CT 2 (three-phase) 2,2 kW	134549
NC CT 3 (three-phase) 3,0 kW	137584



Unions	Code
Suction/Discharge	25000111



Two unions to convert from threaded connection to 75mm solvent fit for Nadorself pump.





FILTERS

Filters with valves

Filterkit Base

Filters with valves made of chemical and weather-resistant polyethylene. Moulded in single piece, with base built into the filter.

Highly versatile, with top or side mounted, six-way valve.

Wide range, from Ø300 to Ø650 mm for pools with a volume of water up to 128 m³.

Features

Working pressure: 2 bar; maximum pressure: 2.5 bar.

Connection with 1 1/2" six-way valve. Fitted with pressure gauge and air valve.

Double drainage in the lower section of the filter: 1/2" to totally empty the filter; 1/4" to drain water without loss of sand.

Transparent lid on the side-mounted version for easy inspection.

Filter connected to valve/lid (depending on top-/side-mounted version) via a 177 mm clamp in Ø300 - Ø550 models; via a 203 mm anti-blockage threaded filter in the Ø650 mm model.



Characteristics

FKB 6TP (Top-mounted valve)

Model	Filter				Code
	Ø filter [mm]	Nominal flow [m ³ /h]	* Pool volume [m ³]	Silex load [Kg]	
FKB 450 6TP	450	8	64	75	134538
FKB 550 6TP	550	12	96	125	134539
FKB 650 6TP	650	16	128	225	134540

FKB 6LT (Side-mounted valve)

Model	Filter				Code
	Ø filter [mm]	Nominal flow [m ³ /h]	* Pool volume [m ³]	Silex load [Kg]	
FKB 450 6LT	450	8	64	75	153536
FKB 550 6LT	550	12	96	125	134541
FKB 650 6LT	650	16	128	225	134542

(*) Swimming pool volume (m³): Considering water circulation of 8 hours/day.

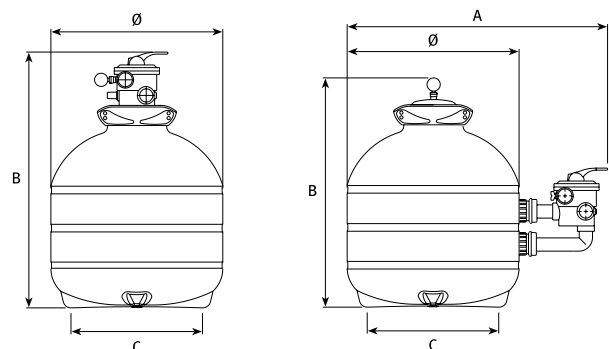
Dimensions and weights

FKB 6TP (Top-mounted valve)

Model	A	B	C	Ø	Kg
FKB 450 6TP	-	832	330	450	7,7
FKB 550 6TP	-	832	440	550	10,1
FKB 650 6TP	-	1.076	550	650	17,1

FKB 6LT (Side-mounted valve)

Model	A	B	C	Ø	Kg
FKB 450 6LT	784	706	330	450	8,1
FKB 550 6LT	884	706	440	550	10,5
FKB 650 6LT	984	875	550	650	17,5



Filters with valves

Filterkit Plus

Filters with valves made of chemical and weather-resistant modified polypropylene.

Injection moulded, with the two halves thermally welded.

Highly versatile, with top or side-mounted, six-way valve.

Highest quality, from Ø520 to Ø760 mm for pools with a volume of water up to 176 m³.

Features

Working pressure: 2.5 bar; maximum pressure: 3.5 bar.

Connection with 1 ½" six-way valve for Ø520 and Ø620 mm models; 2" for Ø760 mm models.

Fitted with pressure gauge and air valve. Double drainage in the lower section of the filter: 1 ½" to totally empty the filter; ½" to drain water without loss of sand.

Transparent lid on the side-mounted version for easy inspection.

Valve joint/lid (depending on top- or side-mounted version) to the filter via a 203 mm anti-blockage seal.



Characteristics

FKP 6TP (Top-mounted valve)

Model	Filter				Code
	Ø filter [mm]	Nominal flow [m ³ /h]	* Pool volume [m ³]	Sillex load [Kg]	
FKP 520 6TP	520	10	80	75	131045
FKP 620 6TP	620	15	120	150	131046

FKP 6LT (Side-mounted valve)

Model	Filter				Code
	Ø filter [mm]	Nominal flow [m ³ /h]	* Pool volume [m ³]	Sillex load [Kg]	
FKP 520 6LT	520	10	80	75	130906
FKP 620 6LT	620	15	120	150	130907
FKP 760 6LT	760	22	176	300	130908

* Considering water circulation of 8 hours/day.

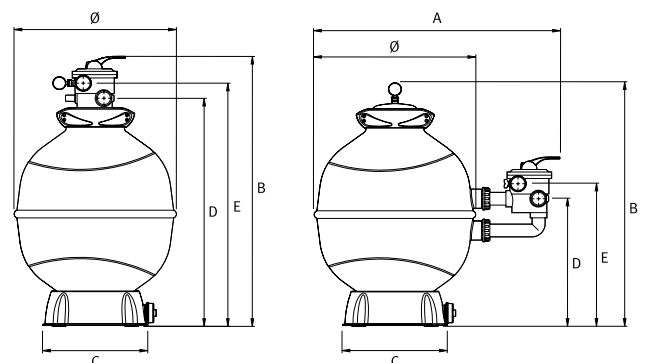
Dimensions and weights

FKP 6TP (Top-mounted valve)

Model	A	B	C	D	E	Ø	Kg
FKP 520 6TP	-	983	422	820	879	520	21,0
FKP 620 6TP	-	1.056	422	892	951	620	23,0

FKP 6LT (Side-mounted valve)

Model	A	B	C	D	E	Ø	Kg
FKP 520 6LT	844	886	422	460	519	520	21,7
FKP 620 6LT	943	957	422	501	560	620	23,7
FKP 760 6LT	1.102	1.114	422	630	715	767	34,0



Filterpak Base Swimming Pool



Filters with valves

Filterpak Base

Compact filter and pump units in pools up to 128 m³.
Highly versatile, with top or side-mounted, six-way valve.
Extensive range, with filters from Ø450 to Ø650 mm and pumps up to 1 HP.

Features

Compact centrifugal pump.
Single piece, moulded polyethylene filter.
Six-way valve 1 1/2".
Base unit in modified polypropylene.
Flexible pump-filter connection kit.



Characteristics

FPB 6TP (Top-mounted valve)

Model	Filter				Pump			Valve	Code	Components		
	Ø filter [mm]	Nominal flow [m ³ /h]	* Pool volume [m ³]	Silex load [Kg]	P2 (HP)	I (A) 1~	Ø Suc. (mm)	Connection		Pump Code	Filter Code	Base Code
FPB 450 6TP SILEN I 50 12M	450	12,0	64	75	0,5	2,8	50	1 1/2"	134697	203145	134538	134186
FPB 550 6TP SILEN I 100 15M	550	15,0	96	125	1,0	3,8	50	1 1/2"	134698	230146	134539	134187
FPB 650 6TP SILEN S 100 18M	650	18,0	136	225	1,0	6,0	63	1 1/2"	131200	203149	134540	134187

FPB 6LT (Side-mounted valve)

Model	Filter				Pump			Valve	Code	Components		
	Ø filter [mm]	Nominal flow [m ³ /h]	* Pool volume [m ³]	Silex load [Kg]	P2 (HP)	I (A) 1~	Ø Suc. (mm)	Connection		Pump Code	Filter Code	Base Code
FPB 450 6LT SILEN I 50 12M	450	12,0	64	75	0,5	2,8	50	1 1/2"	153537	203145	153536	134186
FPB 550 6LT SILEN I 100 15M	550	15,0	96	125	1,0	3,8	50	1 1/2"	134492	230146	134541	134187
FPB 650 6LT SILEN S 100 18M	650	18,0	136	225	1,0	6,0	63/50	1 1/2"	134494	203149	134542	134187

(*) Swimming pool volume (m³): Considering water circulation of 8 hours/day.

Dimensions and weights

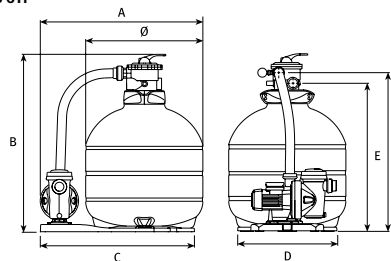
FPB 6TP (Top-mounted valve)

Model	A	B	C	D	E	F	Kg
FPB 450 6TP SILEN I 50 12M	697	855	613	350	671	731	21,1
FPB 550 6TP SILEN I 100 15M	855	855	855	550	671	731	22,8
FPB 650 6TP SILEN S 100 18M	902	988	855	550	824	883	32,5

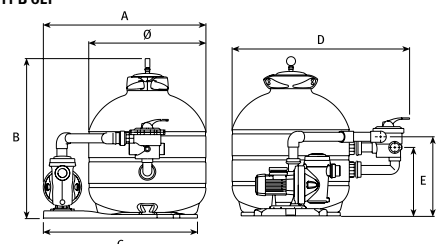
FPB 6LT (Side-mounted valve)

Model	A	B	C	D	E	F	Kg
FPB 450 6LT SILEN I 50 12M	697	734	613	794	341	385	21,5
FPB 550 6LT SILEN I 100 15M	855	734	855	889	341	385	23,2
FPB 650 6LT SILEN S 100 18M	902	899	855	983	400	440	32,9

FPB 6TP



FPB 6LT



Filterpak Plus Swimming Pool



Filters with valves

Filterpak Plus

Compact filter and pump units in pools up to 176 m³.
Highly versatile, with top or side-mounted, six-way valve.
Maximum quality, with injection-moulded filters from Ø520 up to Ø760 mm and pumps up to 1.5 HP.

Features

Compact centrifugal pump.
Thermally welded, modified polypropylene filter.
Six-way valve 1 1/2" in the Ø520 mm and Ø620 mm models; 2" in the Ø760 mm model.
Base unit in modified polypropylene.
Rigid pump-filter connection kit.



Characteristics

FPP 6TP (Top-mounted valve)

Model	Filter				Pump			Valve	Code	Components		
	Ø filter [mm]	Nominal flow [m ³ /h]	* Pool volume [m ³]	Silex load [Kg]	P2 (HP)	I (A) 1~	Ø Suc. (mm)	Connection		Pump Code	Filter Code	Base Code
FPP 520 6TP SILEN S 75 15M	520	15,0	88	75	0,75	5,5	63/50	1 1/2"	133291	203148	131045	129433
FPP 620 6TP SILEN S 100 18M	620	18,0	128	150	1,0	6,0	63/50	1 1/2"	151546	203149	131046	129433

FPP 6LT (Side-mounted valve)

Model	Filter				Pump			Valve	Code	Components		
	Ø filter [mm]	Nominal flow [m ³ /h]	* Pool volume [m ³]	Silex load [Kg]	P2 (HP)	I (A) 1~	Ø Suc. (mm)	Connection		Pump Code	Filter Code	Base Code
FPP 520 6LT SILEN S 75 15M	520	15,0	88	75	0,75	5,5	63/50	1 1/2"	133291	203148	130906	129433
FPP 620 6LT SILEN S 100 18M	620	18,0	128	150	1,0	6	63/50	1 1/2"	151546	203149	130907	129433
FPP 760 6LT SILEN S 150 22M	760	22,0	184	300	1,5	7,1	63/50	2"	132673	203150	130908	129434

(*) Swimming pool volume (m³): Considering water circulation of 8 hours/day.

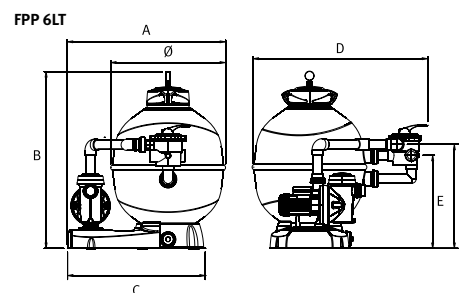
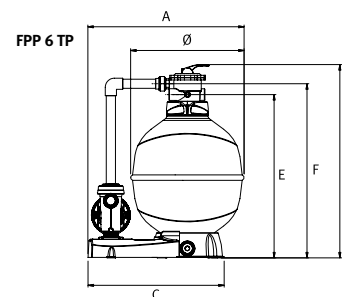
Dimensions and weights

FPP 6TP (Top-mounted valve)

Model	A	B	C	D	E	F	Kg
FPP 520 6TP SILEN S 75 15M	803	981	744	-	815	873	33,4
FPP 620 6TP SILEN S 100 18M	853	1054	744	-	887	946	37,9

FPP 6LT (Side-mounted valve)

Model	A	B	C	D	E	F	Kg
FPP 520 6LT SILEN S 75 15M	803	866	744	845	463	524	34,1
FPP 620 6LT SILEN S 100 18M	853	957	744	945	501	562	38,6
FPP 760 6LT SILEN S 150 22M	1054	1100	871	1076	630	711	51,6



Underground technical box

Tekbox NT

Prefabricated technical box for buried fitting in the garden. Perfectly blends in with the environment. Innovative, all-in-one solution, compact enough to store all the equipment required for the proper functioning of the swimming pool. High level of watertightness providing total protection for components.

Thanks to its totally buried design, **Tekbox NT** is the perfect camouflage, blending in perfectly with the environment.

Characteristics

High resistance: Strengthened, injection-moulded thermoplastic that keeps its shape.
Stability: System for ground anchoring to avoid any movement or flotation.
Security: Reinforced lock and hinges. Looks: Design and colour that blends in with the environment.
Versatility: Full pre-fitted filtration-pump-valve units compatible with various add-on functions.



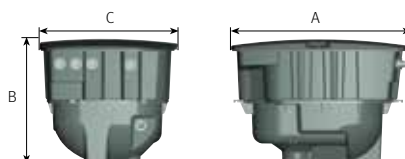
Characteristics

Model	Filter					Pump			Valve	Code
	Model	Ø filter [mm]	Nominal flow [m³/h]	* Pool volume [m³]	Silix load [Kg]	P2 (HP)	I (A) 1~	Ø Suc. (mm)	Connection	
TKB NT 450 SILEN I 50 12M	ARIES	450	8,0	64	75	0,5	2,8	50	SIDE 1 1/2"	134425
TKP NT 520 SILEN I 100 15M	LIBRA	520	11,0	88	75	1,0	3,8	50	SIDE 1 1/2"	134465

Model	Filter				Pump			Valve	Code
	Ø filter [mm]	Nominal flow [m³/h]	* Pool volume [m³]	Silix load [Kg]	P2 (HP)	I (A) 1~	Ø Suc. (mm)	Connection	
TKP NT EMPTY	-	-	-	-	-	-	-	-	134529

Dimensions and weights

Model	A	B	C	Kg
TKB NT 450 SILEN I 50 12M	1.460	1.032	1.145	88
TKP NT 520 SILEN I 100 15M	1.460	1.032	1.145	102



Model	A	B	C	Kg
TK NT EMPTY	1.460	1.032	1.145	60

(*) Swimming pool volume (m³): Considering water circulation of 8 hours/day.

*For different Tekbox equipment options please contact one of our technicians.



New ESPA Pool pump range warranty



The extended warranty is exclusively for the **ESPA Pool pump range** and its application is specified in the following conditions:

- 1. The geographic scope** of the extended warranty is strictly limited to the countries of the EC.
- 2. Standard period of two years warranty** from invoice date according to the general terms of ESPA guarantee.
- 3. Extended warranty for an additional period of two years** by **purchasing the product in one of the ESPA's evopool® partner accredited distributors.**
- 4. Extended warranty for an extra year** if the **end-user registers the product at the site** filling, at least, all mandatory fields. The limit period for product registration will be a maximum of six months from the invoice date.

In any case, the maximum warranty period is five years from the product invoice date.

The terms of the warranty extension are the same as for the standard warranty, excluding all components of pump wear during normal use, such as:

- Mechanical seal
- Gaskets
- Capacitor
- Bearings
- Pre-filter basket

© 2016

ESPA 2025 SL

Non-binding pictures; the technical specifications and/or the equipment might change depending on the model. ESPA has the right to change the content of the present catalogue without any further notice, always with the intention to improve the information that is given to our clients.

It is completely forbidden the total or partial use of this catalogue in any format or media. The data containing this catalogue is valid, except for any spelling or printing mistakes, until a new version of the catalogue is released.



Download our apps



evopool[®]



ESPA

evopool.espa.com
www.espa.com



CAT1006EN 03/16